

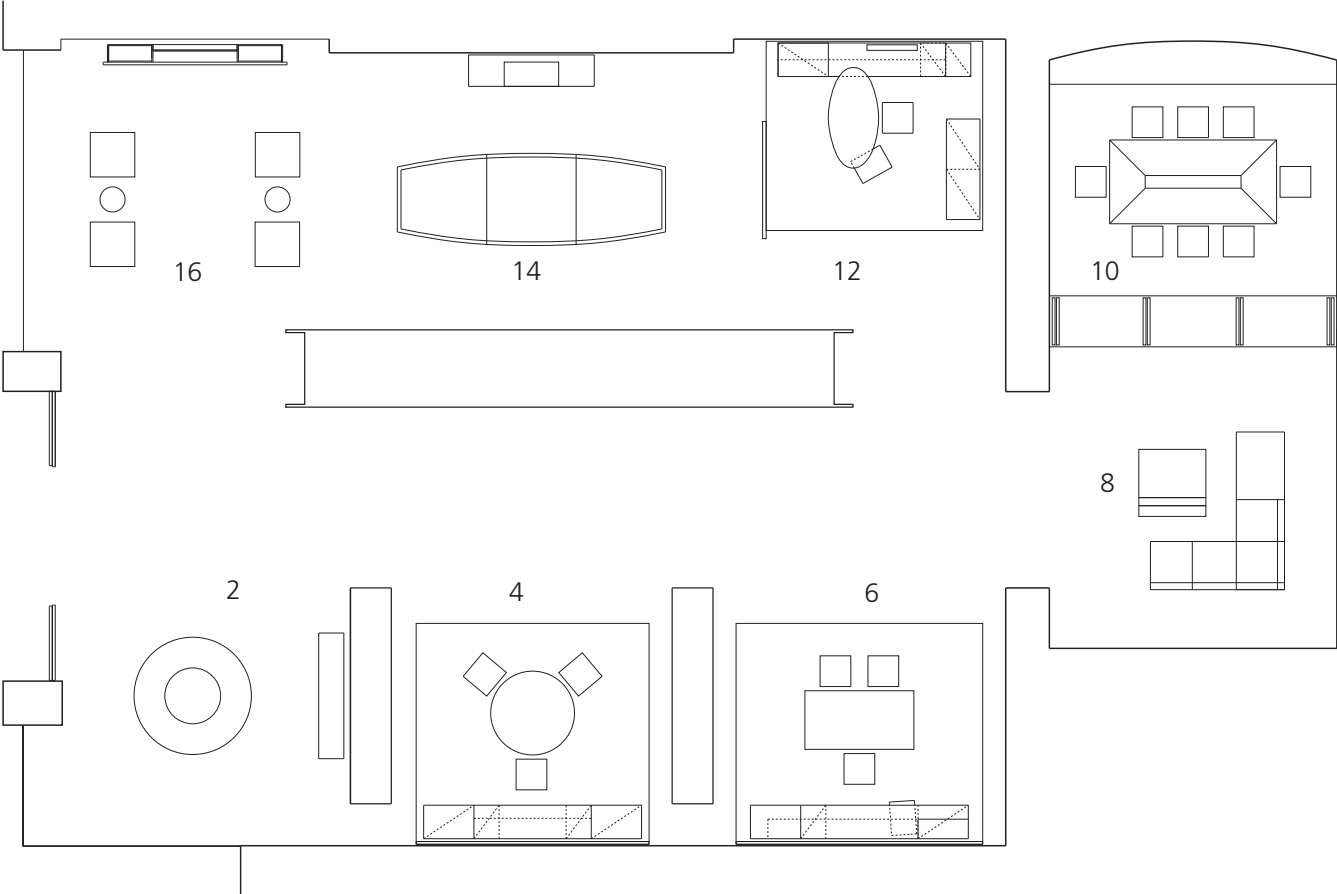
Decca Contract Showroom  
Chicago Mart  
Space 11-106  
Tel 312 245 0009  
[www.deccacontract.com](http://www.deccacontract.com)

## Decca Contract Showroom Display Guide



NEOCON 2008

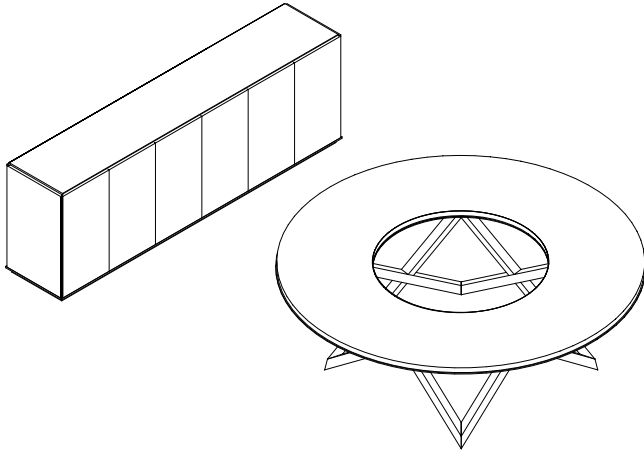
Decca Chicago Showroom Space 11-106



MTO™ Table  
Dialogue™ Credenza

2

Statement furniture realized through Decca's unique capabilities in wood and metal.



Simple forms

Luxurious materials

Uncompromising quality

Features

Dialogue™ Credenza

- mitered case construction.
- inset feature top with many material options available.

MTO™ Table

- table base inspired by structural elements found in urban infrastructure.
- veneer layup reinforces the center point of the round table.
- the center of the table left open to accentuate the table base.

Details

- handcrafted construction.
- sequenced and book matched veneer layup on credenza.
- Sunburst Veneer layup on table.
- veneer matched interior.

Finishes

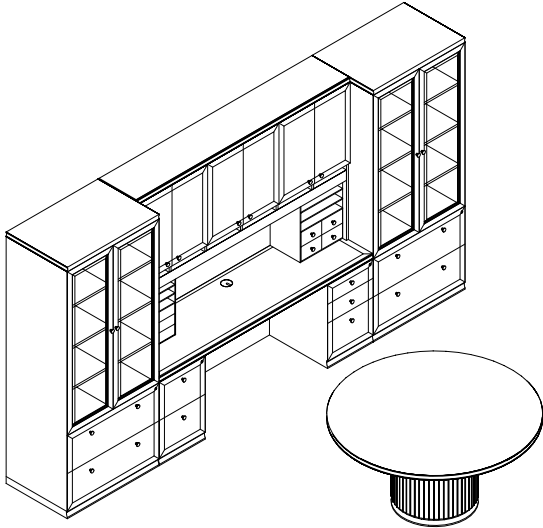
- Premium Ebony veneers.
- architectural grade Bronze base, trim and accents.
- black glass solid surface credenza top inset.

MTO™ stands for Made To Order and is Decca's new custom program.

Pricing

MTO™ Table	\$59,665 List
Dialogue™ Credenza	\$13,235 List

Inspired by Old World classics with a lighter scale and restrained detailing.



Architectural precedent

Classic elegance

Handcrafted details

### Features

- freestanding Palladia™ round table with signature fluted base detailing.
- beveled glass fronted cabinets with maximum storage.
- integrated low voltage accent lighting.
- knee space modesty panel to access wall-based building services.
- desktop storage accessories.
- signature Decca solid wood grommet.

### Details

- handcrafted, mitered casegoods construction.
- reverse diamond veneer layup on pedestal fronts with quartered borders.
- sunburst table top veneer layup.
- veneer matched drawer bodies.
- threaded metal shelf pin inserts.
- Polished Chrome drawer pulls.

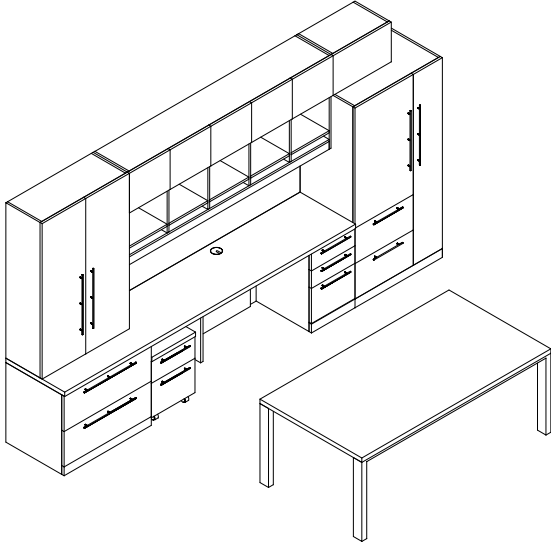
### Finishes

- standard Flat Cut Walnut veneer.
- Quarter Cut Walnut quartered borders.
- Polished Chrome drawer pulls.
- graded-in Maharam textile program.

### Pricing

Workwall	\$26,402 List
Palladia™ Table	\$8,214 List
Decca seating	\$7,030 List

True choice with distinctive styling in a comprehensive wood casegoods collection.



Carefully curated

Value oriented

Handcrafted details

### Features

- combination tower cabinet with thin wardrobe and maximum storage.
- optional Decca Bronze™ painted cases.
- integrated low voltage accent lighting.
- knee space modesty panel to access wall-based building services.
- signature Decca solid wood grommet.
- freestanding table desk with low profile pencil drawer.

### Details

- handcrafted casegoods construction
- sequenced and book matched veneer layup
- veneer matched drawer bodies
- threaded metal shelf pin inserts
- proprietary Solid Bronze drawer pulls

### Finishes

- standard Figured Primavera veneer
- Dark Bronze rail drawer pulls
- Decca painted cases in 004 Bronze
- graded-in Maharam textile program
- Dark Bronze table base

### Pricing

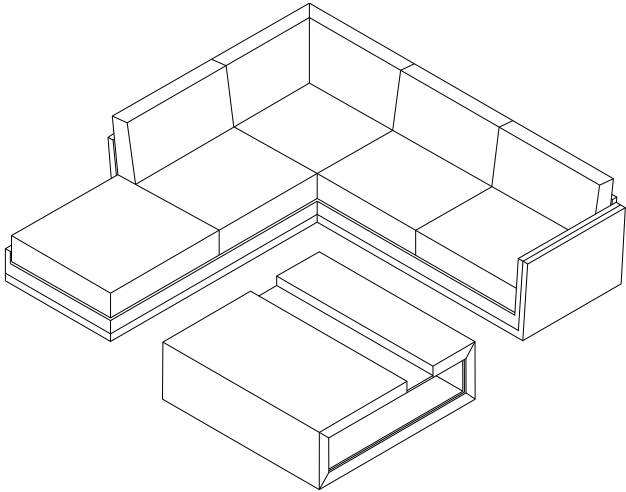
Casegoods

\$28,106 List

## Rottet Asymmetrical Seating

8

Signature style and sophisticated detailing  
from Lauren Rottet, FAIA.



Timeless design

Innovative detailing

Uncompromising quality

### Features

- extended asymmetrical configuration defines and demarcates space.
- Polished Stainless Steel base.
- optional accessory tray.

### Details

- handcrafted construction.
- signature thin edge material detailing.
- sequenced and book matched veneer layout.

### Finishes

- premium Quarter Cut Santos Rosewood veneer on exterior panels.
- premium Imbuaya Burl veneer table.
- clear glass accent infill panel on table.
- Polished Stainless Steel bases.
- Decca Pearl™ painted finish on interior surfaces.

Rottet™ was launched at Neocon 2007, and received two prestigious Gold awards in the Best of Neocon competition.

Rottet™ has been recently expanded in both size and material options.

### Pricing

Rottet™ Asymmetrical Sofa                      \$7,881 List

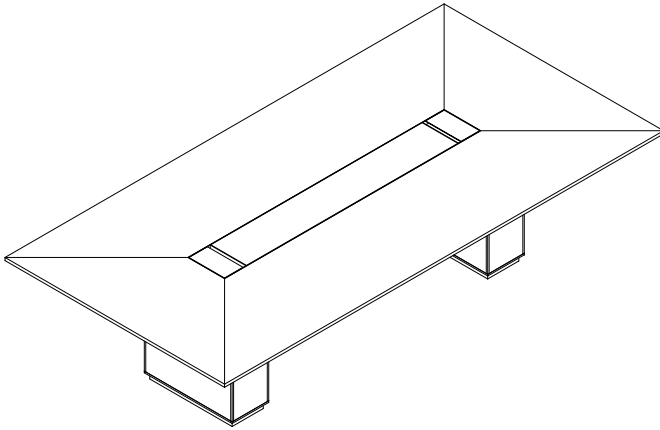
As shown with COL

Rottet™ Slot Table                                 \$6,703 List

## Dialogue™ Conference Table

10

Elegantly understated.  
Imminently flexible.  
Wonderfully adaptable.



A wide array of shapes, sizes and options

A sophisticated palette of materials and finishes

A comprehensive conference table program

### Features

- rectangular table base provides full access to floor-based building services.
- vertical Satin Stainless Steel table base corner guards.
- table base panels offer broad choice in materials.
- table top access Decca PowerPoint™ electrical & communications units.
- flip up access doors available in a variety of materials.
- optional center accent section offers choice in materials.

### Details

- handcrafted construction.
- carefully considered material transitions.
- optional herringbone veneer layup.

### Finishes

- premium Quartered Figured Eucalyptus veneer.
- optional Satin Stainless Steel center accent surround.
- optional frosted mirror center accent panel.

A Preview for Neocon 2008, Dialogue™ will offer a total collection of curated choices in size, finish and detailing to accommodate virtually any assignment.

### Pricing

Dialogue™ Table

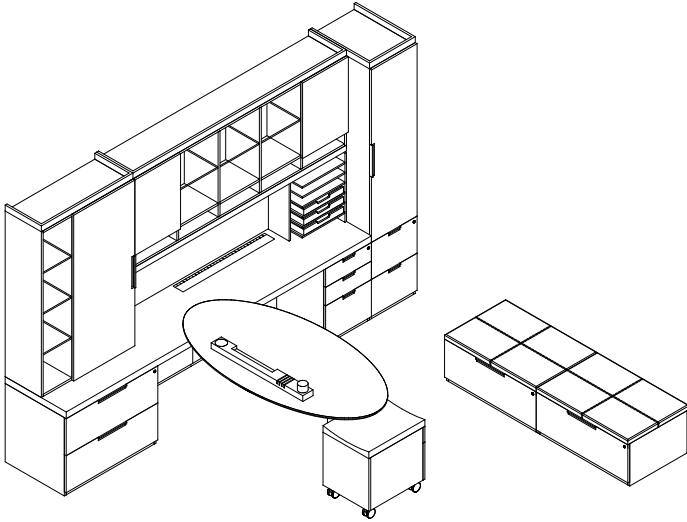
\$19,755 List

As shown with options

## Basis Private Office

12

Craft in a modern idiom.



Statement making design

Premium materials

Handcrafted details

## Features

- tower cabinet with integrated flip chart and marker board.
- single width coat closet with personal mirror.
- integrated low voltage accent lighting.
- knee space modesty panel to access wall-based building services.
- work surface flip up access door with matching veneer layup.
- low storage unit with integrated upholstered seating.
- freestanding desktop accessories for personal storage and organization.

## Details

- hand-crafted casegoods construction.
- sequenced and book matched veneer layup.
- veneer matched drawer bodies.
- threaded metal shelf pin inserts.

## Finishes

- Premium Figured Ash veneer.
- Satin Stainless Steel pulls and runoff leg.
- etched glass accent shelves.
- graded-in Maharam textile program.
- stone overlay top in Calacatta Gold [COS]

## Pricing

Entire vignette

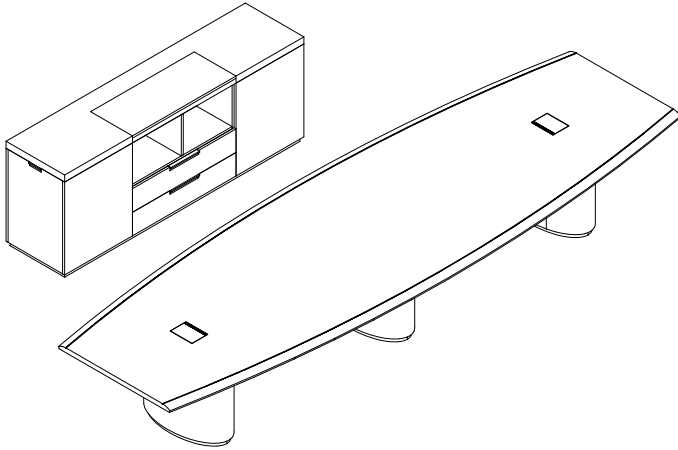
\$34,443 List

Custom stone overlay [COS] and desk chair not included

## Basis Conference

14

The definitive modern wood statement for the conference environment.



Technological accommodation

Premium materials

Hand crafted details

## Features

### Service Credenza

- food service friendly solid surface credenza top inset.
- integrated cutlery storage drawers.
- twin pull out recycling containers on left side of credenza.
- 2.6 cu ft refrigerator space on right side of credenza.

### Conference Table

- oval table base provides full access to floor-based building services.
- table top access Decca PowerPoint™ electrical & communications units.
- flip up access door with matching veneer layup.

### Details

- handcrafted construction.
- sequenced and book matched veneer layup.
- veneer matched drawer bodies.

### Finishes

- Premium Thuya Burl veneer.
- Figured Walnut solid table top edge.
- Satin Stainless Steel inlay and accents.
- White solid surface credenza top inset.
- Decca Pearl™ painted finish casework.

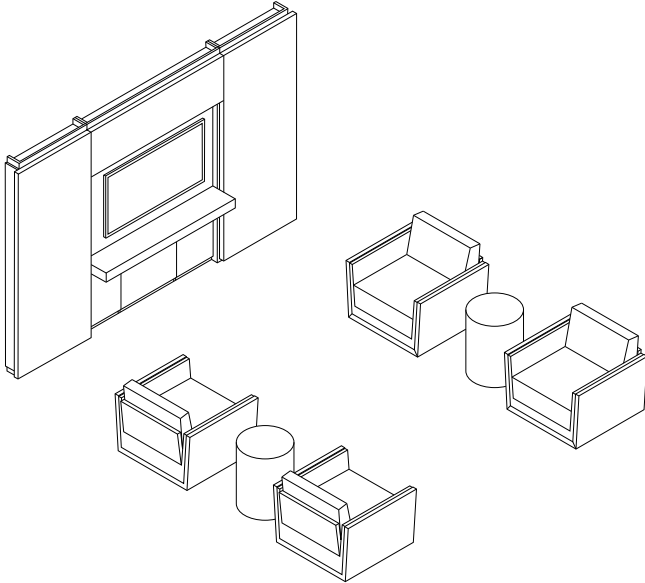
### Pricing

Basis™ Table	\$24,973 List
Basis™ Service Credenza	\$13,754 List

## Rottet Collection

16

Signature style and sophisticated detailing  
from Lauren Rottet, FAIA.



Timeless design

Innovative detailing

Uncompromising quality

## Features

- classic four square seating arrangement.
- newly added table size.
- use of Maharam graded-in textile program.

## Details

- handcrafted construction.
- signature thin edge material detailing.
- sequenced and book matched veneer layup for chairs.

## Finishes

- Premium Quarter Cut Figured Walnut veneer exterior panels on chairs.
- Premium Thuya Burl veneer top on round tables and Media Wall.
- Polished Stainless Steel table bases.

Rottet™ was launched at Neocon 2007, and received two prestigious Gold awards in the Best of Neocon competition.

Rottet™ has been recently expanded in both size and material options.

## Pricing

Rottet™ Lounge Chair \$ 4,304 List (each)

As shown with COL

Rottet™ Round Side Table \$ 2,833 List (each)

Basis™ Media Wall \$27,232 List